



GENERAL DESCRIPTION:

Electrically operated automatic smoke containment barrier that provides smoke and fire protection for a variety of applications: multilevel atria smoke control, opening protective, smoke barriers.

- Manufactured from 1.2mm galvanized steel, curtain head box rated at same temperature as curtain.
- Removable cover plates are incorporated to allow access to the curtain rollers.
- Standard head box sizes are 150mm x 150mm for single rollers (maximum width 5.5m) and 250mm x 150mm for multiple rollers (over 5.5m wide). Larger head boxes may be required where the curtain drop is in excess of 3m.
- Weighted bottom bar is provided to prevent deflection and ensure correct operation under gravity.
- Rollers are constructed from octagonal tube which will incorporate a 24V D.C. motor and gearbox and a sealed heavy duty ball bearing assembly.
- A motor control circuit (MCC) is housed in a steel enclosure and mounted onto the motor end of the head box.
- Descent speed (S) is controlled by back electromagnetic force for each curtain at $6 \leq S \leq 24$ in./sec A suitably weighted bottom bar with polycarbonate extrusion at bottom of the box
- Fabric curtain is manufactured from X32K woven glass or C41000WK fiber cloth incorporating a 'Panama' weave. The woven glass fiber fabric has a nominal weight ≥ 540 g/m² and is UL listed ≥ 1 hr.
- Fail Safe Design with battery back-up standard, NOT Required for Gravity Fail Safe Deployment. File R26410 is Ble.



STANDARDS:

- NFPA 80 Chapter 20:2007
- NFPA 92B
- UL 10D Listed for Fire Protective Curtains
- UL 864 Labeled & Listed
- UL 555 Labeled & Listed
- UL 10D Labeled & Listed
- UL 10B Time Temperature Curves
- UL 10C Time Temperature Curves
- NFPA 105 Compliance
- ANSI/ASTM E119 Standard Tests Methods for Fire Tests of Building Construction and Materials

PERFORMANCE:

- 2 hours Fire rated at 1112°F
- 2000 cycles at normal ambient temperatures in the range (32°F - 1112°F) and can withstand hot air and smoke at temperatures at UL 10B and ANSI/ASTME119 Time Temperature curves.
- 1–2 hours smoke and fire curtain (UL 10D/ANSI/ASTM E119)
- Fabric area density ≥ 540 g/m² for temperature $\leq 1000^\circ\text{C}$ for a period of 1 hr.
- The tensile strength of Panama weave fabric is 10% \geq , with 415g/m² glass cloth with a 20g/m² micronized aluminum polymer coating on each side of the fabric.

LEED CERTIFICATION

CORE & SHELL

- Indoor Environmental Quality
 - Credit 2: Increased Ventilation
 - Credit 4.2: Low Emitting Material
 - Credit 5: Indoor Chemical & Pollutant Control
 - Credit 8: Daylight and Views
- Innovation & Design Process
 - Credit 1.1: Innovation in Design

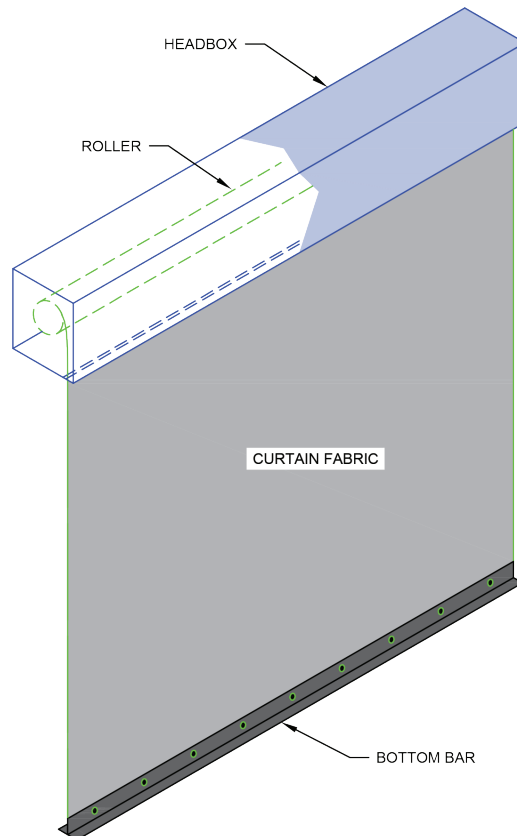
SIZES:

CURTAIN DROP	SINGLE BOX	DOUBLE BOX SIDE BY SIDE	DOUBLE BOX OVER/UNDER
Down to 3'3"	5-1/8" x 4-3/4"	7-7/8" x 5-1/8"	5-7/8" x 9"
Down to 9'10"	57 1/8" x 5-7/8"	10" x 5-7/8"	5-7/8" x 10"
Down to 26'3"	7-1/8" x 7-1/8"	12-1/4" x 7-1/8"	8-1/4" x 13-3/4"
Down to 39'4"	8-1/4" x 8-1/4"	13-3/4" x 8-1/4"	9" x 15-3/8"
Down to 65'7"	10" x 10"	17-3/4" x 10"	11" x 20"

LOADS:

- Structural Load: 11 lbs./ft.
- Structural Load- Unistrut mount 3/8 threaded rods 4' on center- slab mount or to C channel framing
- Electrical Load- 15 amp circuit breaker to one group control panel

SMOKE CURTAIN DIAGRAM



12310 Pinecrest Road, Suite 300, Reston, VA 20191 • Phone: 888.917.8777 • Fax: 888.917.8777
 Washington, DC • Boston • New York • Miami • Dallas • San Francisco
www.ussmokeandfire.com • aeteam@ussmokeandfire.com



UL LOGO IS A REGISTERED TRADEMARK OF UNDERWRITERS LABORATORIES