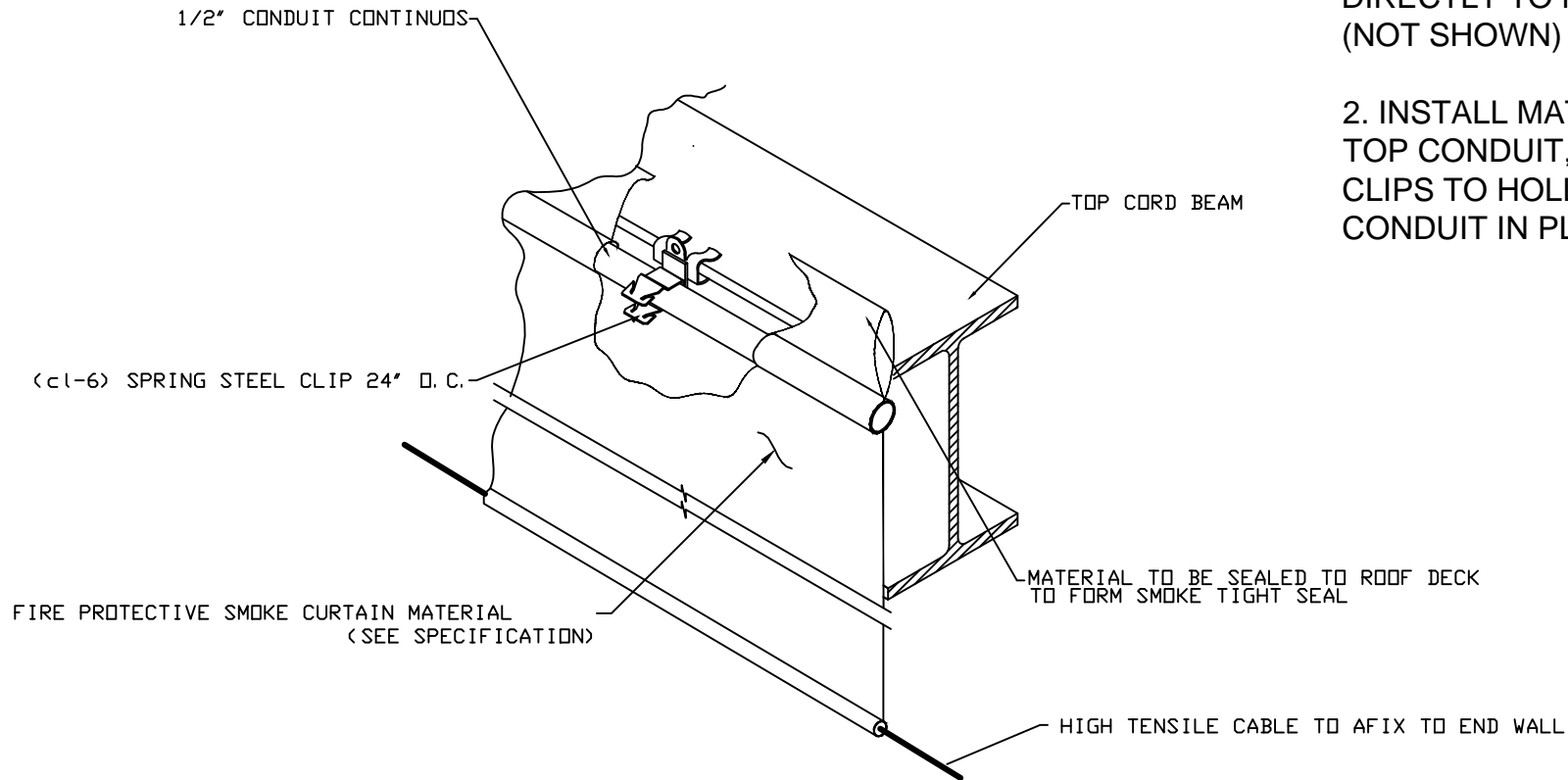


OPTION 2



FIXING METHOD OPTIONS:

1. FASTEN MATERIAL DIRECTLY TO METAL JOIST (NOT SHOWN)
2. INSTALL MATERIAL TO TOP CONDUIT, UTILIZE BEAM CLIPS TO HOLD TOP CONDUIT IN PLACE

FIXED IN PALCE DRAFT CURTAIN CONNECTION TO BEAM

FABRIC BROKEN OUT FOR CLARITY
SCALE: NONE



Project:
UNTITLED
Product Name:
FIXED CURTAIN

#	REVISION	DATE	BY

Title: **FIXED CURTAIN CONNECTION TO BEAM**

Scale: NTS

Date: mddd/yy