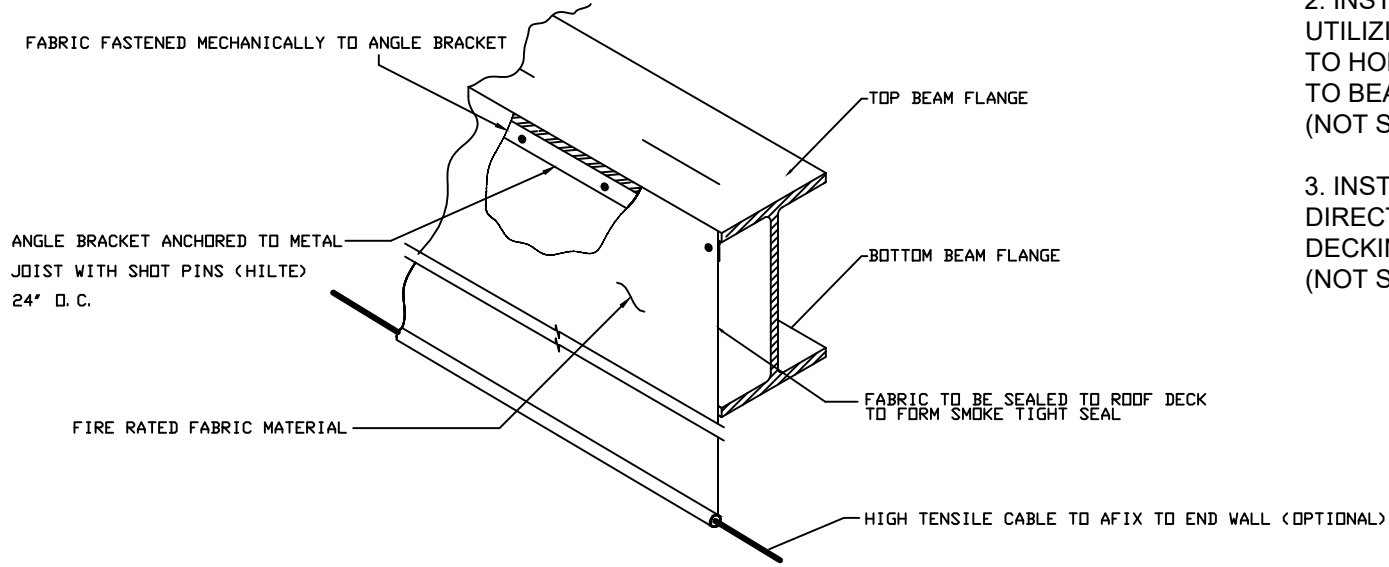


FIXING METHOD OPTIONS:

1. FASTEN FABRIC DIRECTLY TO TOP OR BOTTOM BEAM FLANGE (SHOWN)

2. INSTALL FABRIC UTILIZING BEAM CLAMPS TO HOLD FABRIC IN PLACE TO BEAM FLANGE (NOT SHOWN)

3. INSTALL FABRIC DIRECTLY TO ROOF DECKING, IF PERMITTED (NOT SHOWN)



USSF FIXED IN PLACE DRAFT CURTAIN CONNECTION TO BEAM



Product Name:
SD60® FIXED FABRIC
DRAFT CURTAINS

#	REVISION	DATE	BY

Title: **FIXING METHOD**

Scale: NTS
Date: mm/dd/yy

--