



GENERAL DESCRIPTION:

Electrically operated automatic smoke containment partition that provides smoke and fire protection for a variety of applications: multilevel atria smoke control and smoke partitions.

- A single or multiple roller headbox assembly with a 0.05 in. thick galvanized steel, curtain head box. Maximum span of curtain up to 146 ft. in length and drop height of 45 ft.
- Removable cover plates are incorporated to allow access to the curtain rollers.
- Standard head box sizes are 6" x 6" for single rollers (maximum curtain length of 20') and 10" x 6" for multiple rollers (over 20" curtain length). Larger head boxes may be required where the curtain drops are in excess of 10'.
- Weighted bottom bar is provided to prevent deflection and ensure correct operation under gravity.
- Rollers are constructed from round tubes which will incorporate a 24V D.C. motor and gearbox and a sealed heavy duty ball bearing assembly.
- A motor controller (MC) is housed in a steel enclosure and remote located above a ceiling access panel or removable ceiling tiles.
- Descent speed is controlled by back electromagnetic force for each curtain at 6-9 in./sec. A suitably weighted bottom bar at bottom of the box.
- Fabric curtain is manufactured from E-Glass with a polyurethane coating. The woven glass fiber fabric curtain has a nominal weight $\geq 540\text{g/m}^2$ and is tested to UL 10B 20 minute No-Hose.
- Fail Safe Design with battery back-up standard, NOT Required for Gravity Fail Safe Deployment.
- Tested at Guardian Fire Testing Laboratories Accreditation
 - ISO 17025 (testing)
 - ISO 17020 (Inspection)
 - ISO 17065 (production certification)



STANDARDS:

- NFPA 80 Chapter 20:2007
- NFPA 92B
- Tested to and labeled UL 864
- Tested to and labeled UL 10B - 20 mins with No-Hose

PERFORMANCE:

- 5000 cycles at normal ambient temperatures per UL864.
- Fabric area density $\geq 540\text{g/m}^2$ for temperature $\leq 1800^\circ\text{F}$ for a period of 120 minutes per NGC Test Report.
- The tensile strength of E-Glass weave fabric is $10\% \geq$, with 415g/m^2 glass cloth with a 20g/m^2 micronized aluminum polymer coating on each side of the fabric.
- Full assembly including textile is 120 minutes fire rated to the UL10B/ASTM E119 time temperature curves per NGC Testing Services report.



LEED CERTIFICATION

CORE & SHELL

- Indoor Environmental Quality
 - Credit 2: Increased Ventilation
 - Credit 4.2: Low Emitting Material
 - Credit 5: Indoor Chemical & Pollutant Control
 - Credit 8: Daylight and Views
- Innovation & Design Process
 - Credit 1.1: Innovation in Design

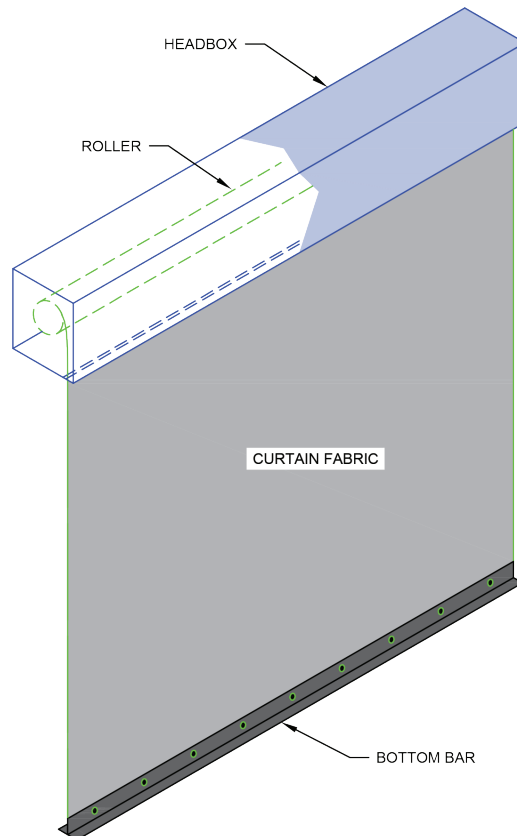
SIZES:

CURTAIN DROP	SINGLE BOX	DOUBLE BOX SIDE BY SIDE	DOUBLE BOX OVER/UNDER
Down to 9'10"	6" x 6"	10" x 6"	6" x 10"
Down to 26'3"	7" x 7"	12" x 7"	7" x 12"
Down to 39'4"	8" x 8"	14 x 8"	8" x 14"

LOADS:

- Structural Load: 10-15 lbs./ linear ft.
- Structural Load- Unistrut mount 3/8 threaded rods 4' on center- slab mount or to C channel framing
- Electrical Load- 20 amp dedicated circuit can operate up to four group control panels

SMOKE CURTAIN DIAGRAM



U.S. SMOKE & FIRE®

12310 Pinecrest Road, Suite 300, Reston, VA 20191 • Phone: 888.917.8777 • Fax: 888.917.8777
Washington, DC • Boston • New York • Miami • Dallas • San Francisco
www.us smokeandfire.com • aeteam@us smokeandfire.com

