



GENERAL DESCRIPTION:

The HOSE STREAM 120® Horizontal is a deployable Steel-Tex fire shutter system composed of a wired reinforced Steel-Tex on a round steel tubes in a multiroller configuration as a fire rated assembly. The Steel-Tex fire shutter remains retracted in the headbox until activated by fire alarm or smoke alarm at which point it deploys at 6 in/sec. and creates a smoke and fire barrier. The system consists of:

- A roller assembly with a 0.05 in. thick galvanized steel head box with a minimum 12 in. x 12 in. dimension. Maximum size is 20ft in width(headbox) x 40ft in length (side guides).
- A motor controller (MC) is housed in a steel enclosure and mounted onto the motor end of the head box. NFPA 70 compliant DC motor interfaced with Control Panel (CP) and a suitably weighted bottom bar. Internal motor system.
- Removable fire rated cover plates incorporated to allow access to shutter roller.
- Shutter passes through fire rated galvanized steel aside guides that are factory primed and can be painted in the field by others.
- Tested at Guardian Fire Testing Laboratories.
Accreditation
ISO 17025 (testing)
ISO 17020 (inspection)
ISO 17065 (production certification)

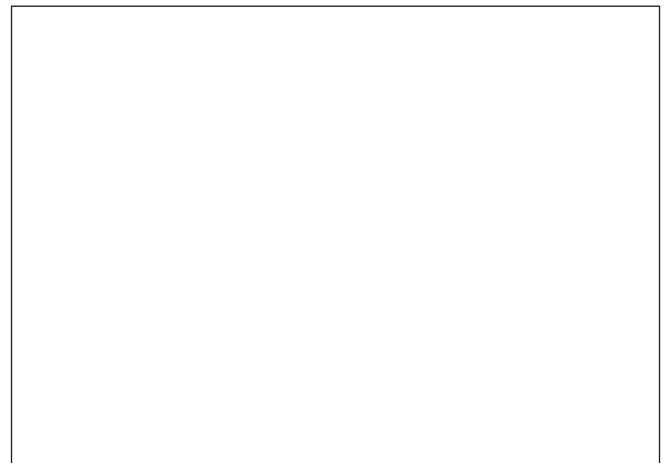
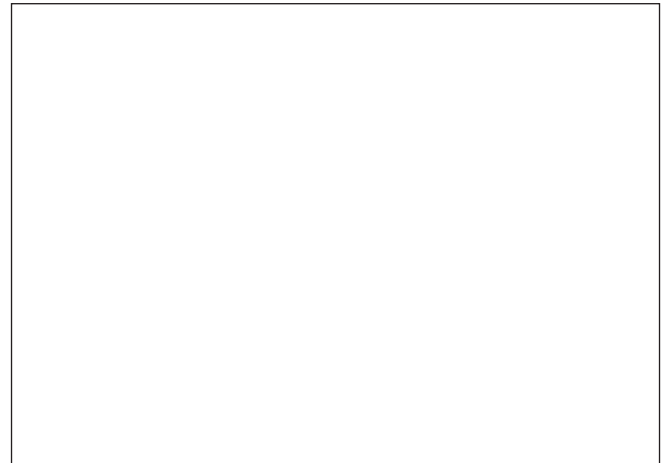
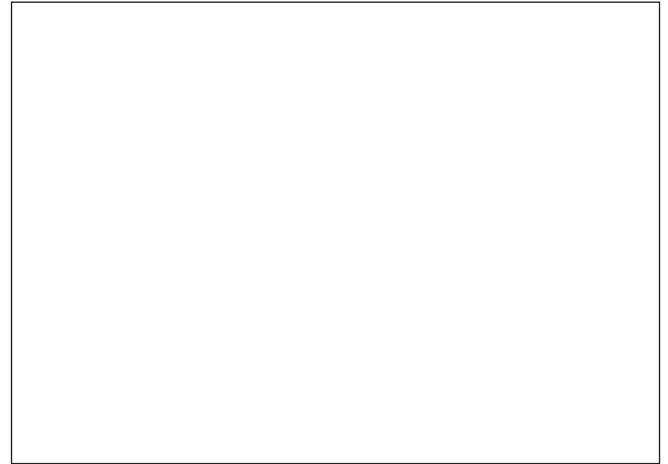
STANDARDS:

The HOSE STREAM 120® Horizontal Fire Shutter

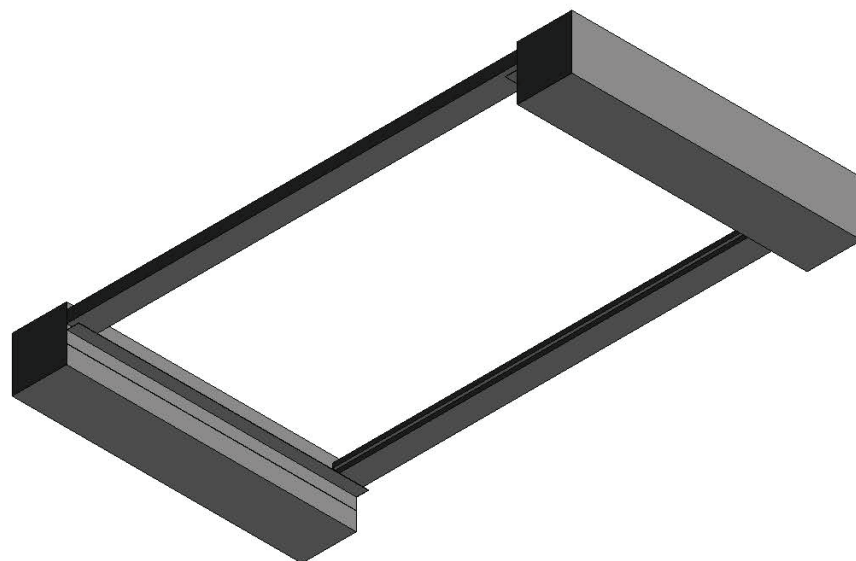
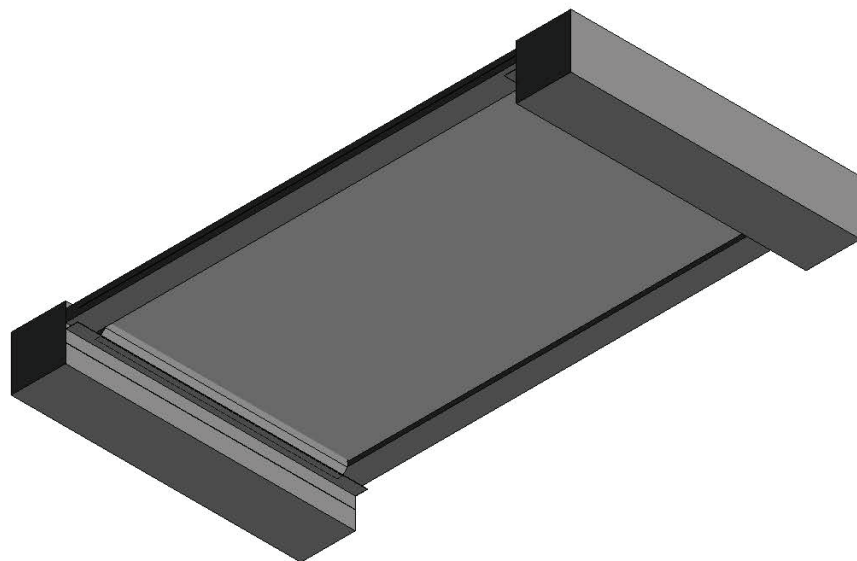
- Tested in accordance to UL 10B for 2 hours
- ASTM E2226 (Hose Stream Test) for 120 minutes. Certified by Guardian. Hose Stream test for 2.5 minutes
- UL864 Releasing Device USA & Canada 110V or 220V - Certified by Intertek

PERFORMANCE:

- Hose Stream 120® Horizontal Fire Shutter is utilized for 2 hour floor openings in accordance to UL 10B with ASTM E2226 (Hose Stream Test)
- Building Management System Relay per UL 864
- Fail Safe battery backup Standard



STEEL-TEX FIRE SHUTTER DIAGRAM



U.S. SMOKE & FIRE®

12310 Pinecrest Road, Suite 300, Reston, VA 20191 • Phone: 888.917.8777 • Fax: 888.917.8777
Washington, DC • Boston • New York • Miami • Dallas • San Francisco
www.us smokeandfire.com • aeteam@us smokeandfire.com

